



“WE MAKE THE KITCHEN BETTER!”

ATOSA USA, INC.

Toll Free: 855-855-0399 Email: info@atosausa.com

www.atosa.com | www.atosausa.com

California, Colorado, Florida, Georgia, Illinois, New Jersey, Ohio, Texas, Washington

Black Exterior Glass Door Refrigerator Merchandiser

Standard Features

- Black steel exterior with stainless steel interior
- Lighted header panel
- LED interior lighting standard
- Electronic Temperature Controller
- Maintains temperatures between 33°F – 40°F
- Four(4) shelves standard per section (MCF8725GR)
- Four(3) shelves standard per section (MCF8726GR)
- Double pane glass door
- Self-closing door(s) with automatic stay open feature
- Recessed door handle
- Door lock(s) standard
- Magnetic door gasket
- Self-contained bottom mount refrigeration system with environmentally friendly R290 refrigerant
- Pre-installed casters
- Pre-installed shelves
- NEMA-5-15P plug standard

Optional Accessories

- Extra shelves – includes 4 shelf clips per shelf

For the best results of food preservation we recommend setting your refrigerator between 33°F to 38 °F

1. Don't forget to leave the unit some room to breathe!
2. Please clean the condenser frequently to give the unit more fresh air.



2 YEAR PARTS AND LABOR WARRANTY
5 YEAR COMPRESSOR PART WARRANTY

MODELS:

MCF8725GR / MCF8726GR



MCF8725GR



MCF8726GR

Model #	Lighted header panel overall dimensions	Lighted header panel visual dimensions
MCF8725GR	23 ^{7/8} ×4 ^{5/8}	22 ^{3/4} ×3 ^{1/2}
MCF8726GR	23 ^{7/8} ×4 ^{1/2}	N/A





"WE MAKE THE KITCHEN BETTER!"

ATOSA USA, INC.

Toll Free: 855-855-0399 Email: info@atosausa.com

www.atosa.com | www.atosausa.com

California, Colorado, Florida, Georgia, Illinois,
New Jersey, Ohio, Texas, Washington

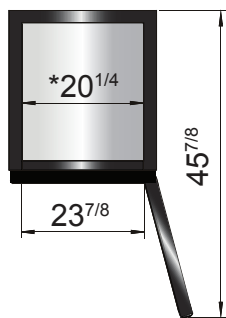
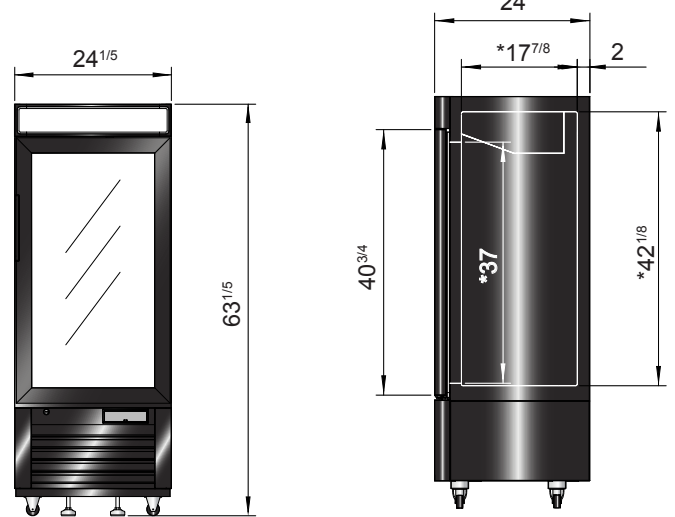
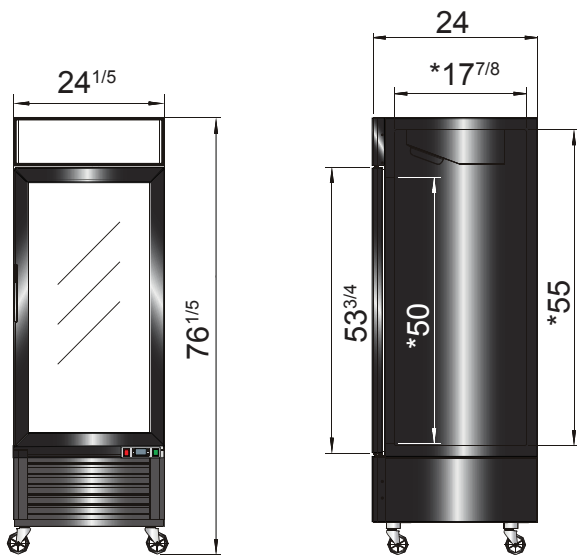
SPECIFICATIONS

Models	Door	Capacity (Cu.Ft.)	Shelves	Casters (inch)	Rated Current (A)	Voltage (V/Hz/Ph)	HP	Refrigerant	Exterior Dimensions (inch)	Net Weight (lbs)	Gross Weight (lbs)
MCF8725GR	1	11.1	4	2	2.1	115/60/1	1/7	R290	24 ^{1/5} ×24×76 ^{1/5}	227	251
MCF8726GR	1	8.3	3	2	2.1	115/60/1	1/7	R290	24 ^{1/5} ×24×63 ^{1/5}	190	210

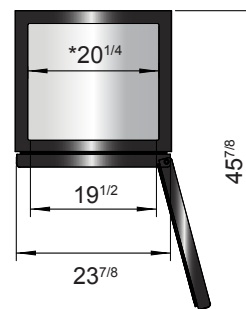
PLAN VIEW

MCF8725GR

MCF8726GR



*Interior Dimensions
SELF-CLOSING
AND STAY OPEN
DOOR FEATURE



*Interior Dimensions
SELF-CLOSING
AND STAY OPEN
DOOR FEATURE

Casters

Temperature control

Door lock

LED lights

Epoxy shelves

