

MBF8002GR

A

B

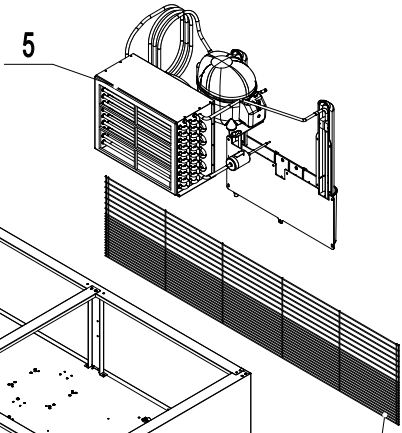
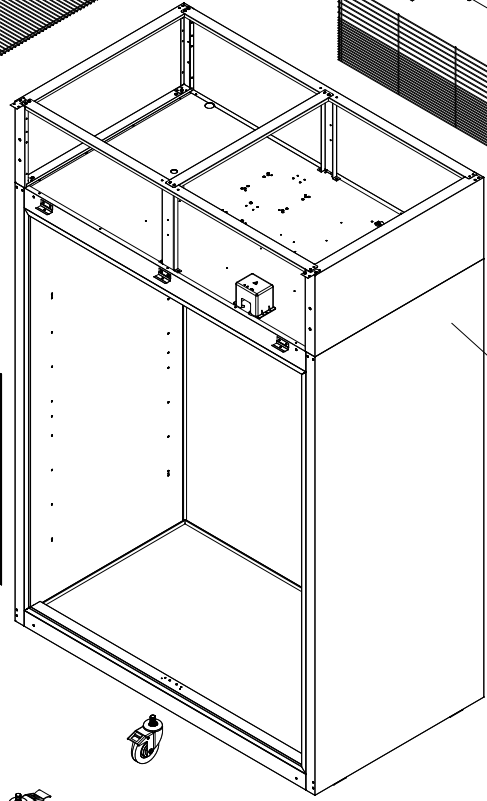
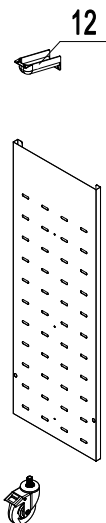
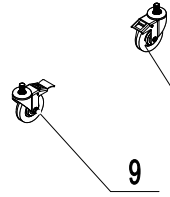
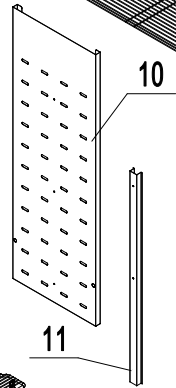
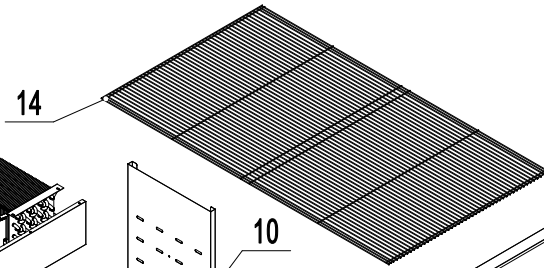
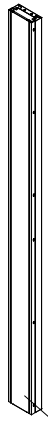
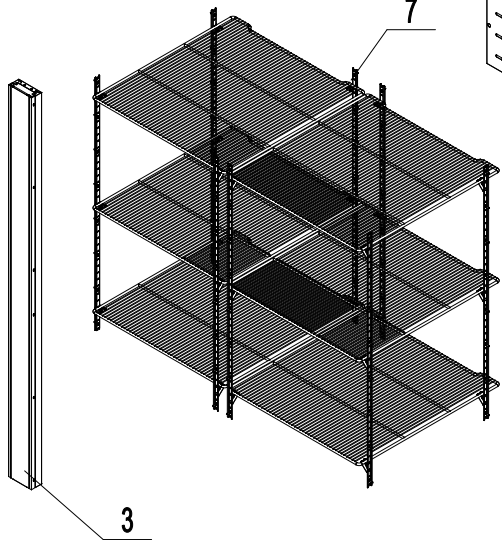
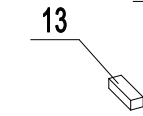
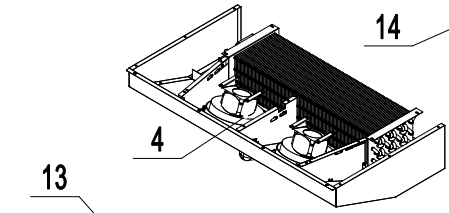
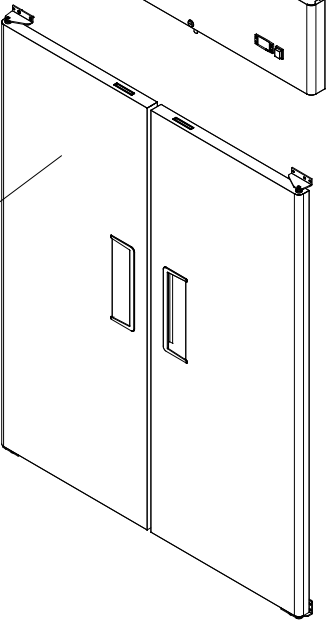
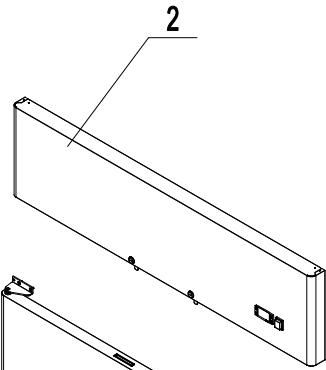
C

D

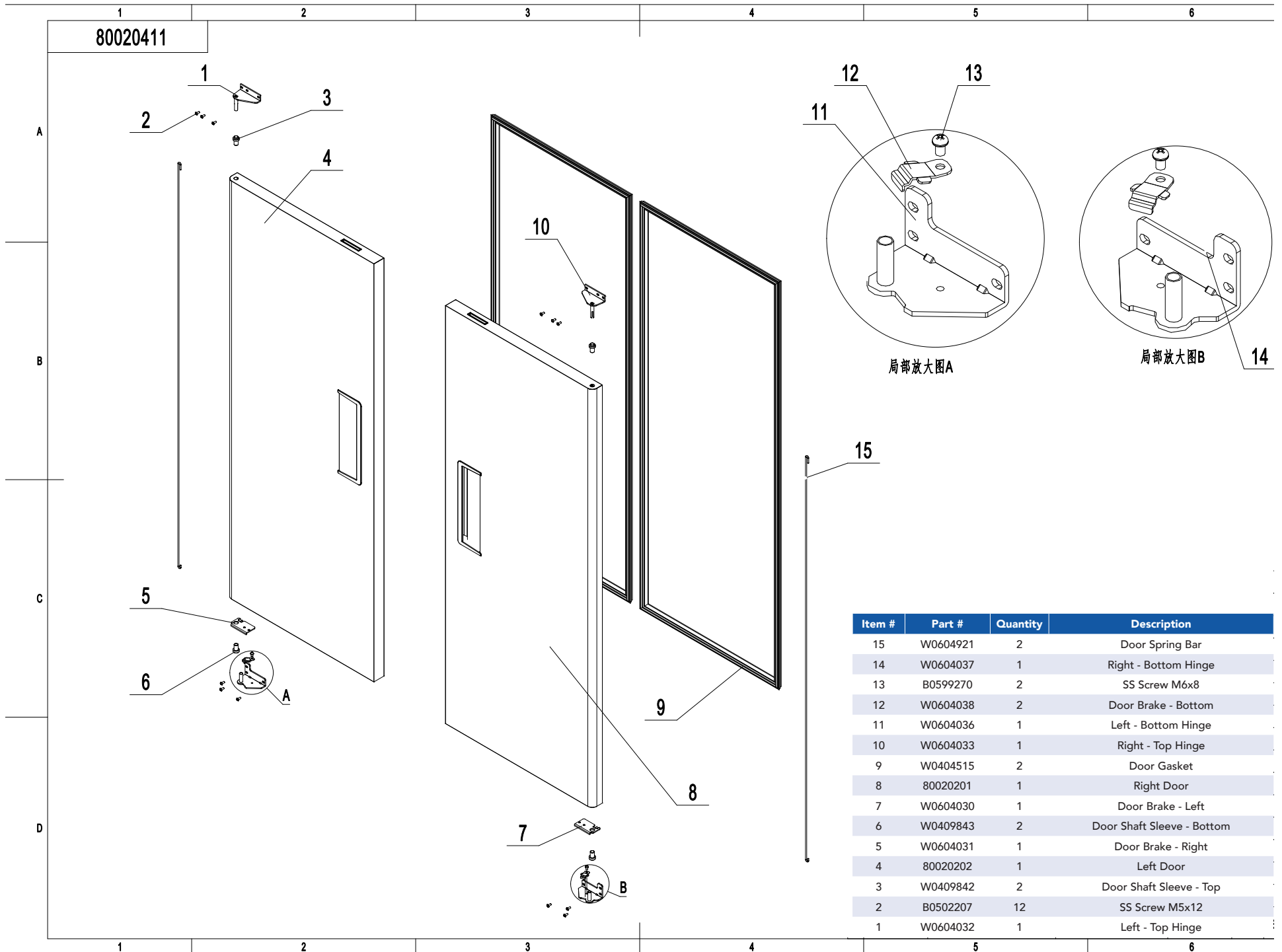
1 2 3 4 5 6

1 2 3 4 5 6

MBF8002GR



Item #	Part #	Quantity	Description	Item #	Part #	Quantity	Description
15	W0402618	1	Back of the Net	7	80020455	1	Shelf Assembly
14	W0402665	1	Top of the Net	6	80020454	1	Cabinet Assembly
13	W0399115	1	LED Power	5	80020453	1	Comp & Cond Assembly
12	W0409081	1	Drain Protector	4	80020452	1	Evaporator Assembly
11	80011041	2	Back Wind Deflector Stents	3	80020451	1	Mullion Assembly
10	80021040	2	Back Wind Deflector	2	80020450	1	Top Panel Assembly
9	B0604421	2	4" Caster With Brake	1	80020411	1	Solid Door Assembly
8	B0604413	2	4" Caster Without Brake	8	B0604413	2	4" Caster Without Brake
3	W0409842	1	Door Shaft Sleeve - Top	3	W0409842	1	Door Shaft Sleeve - Top
2	B0502207	6	Screw M5x12	2	B0502207	6	Screw M5x12
1	W0604033	1	Right - Top Hinge	1	W0604033	1	Right - Top Hinge



80020411

局部放大图A

局部放大图B

Item #	Part #	Quantity	Description
15	W0604921	2	Door Spring Bar
14	W0604037	1	Right - Bottom Hinge
13	B0599270	2	SS Screw M6x8
12	W0604038	2	Door Brake - Bottom
11	W0604036	1	Left - Bottom Hinge
10	W0604033	1	Right - Top Hinge
9	W0404515	2	Door Gasket
8	80020201	1	Right Door
7	W0604030	1	Door Brake - Left
6	W0409843	2	Door Shaft Sleeve - Bottom
5	W0604031	1	Door Brake - Right
4	80020202	1	Left Door
3	W0409842	2	Door Shaft Sleeve - Top
2	B0502207	12	SS Screw M5x12
1	W0604032	1	Left - Top Hinge

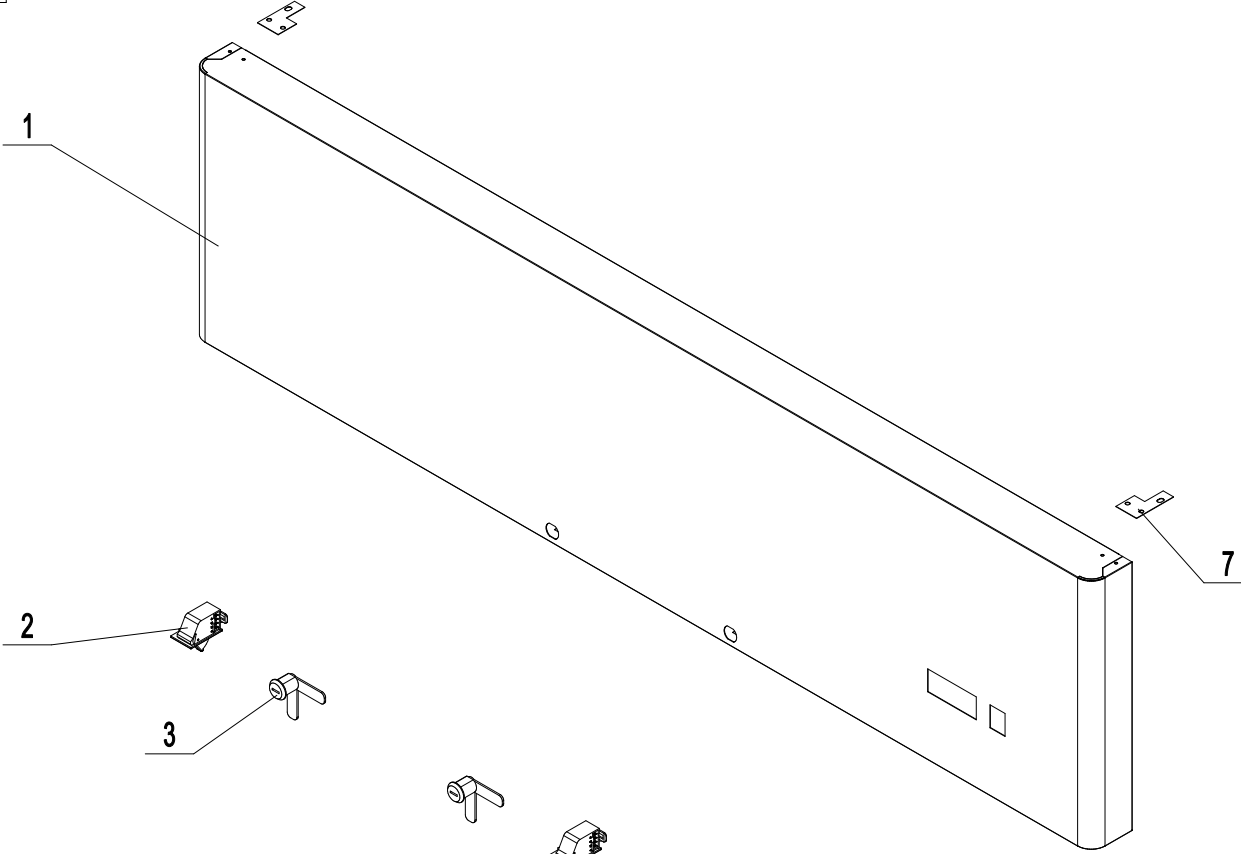
80020450

A

B

C

D



Item #	Part #	Quantity	Description
7	80021404	2	Fastener For Top Panel
6	W0308019	1	Power Switch
5	W0302303	1	Controller Cover
4	W0302162	1	Digital Controller
3	W0604007	2	Lock
2	W0308012	2	Door Switch
1	81141403	1	Front Top Panel

1

2

3

4

5

6

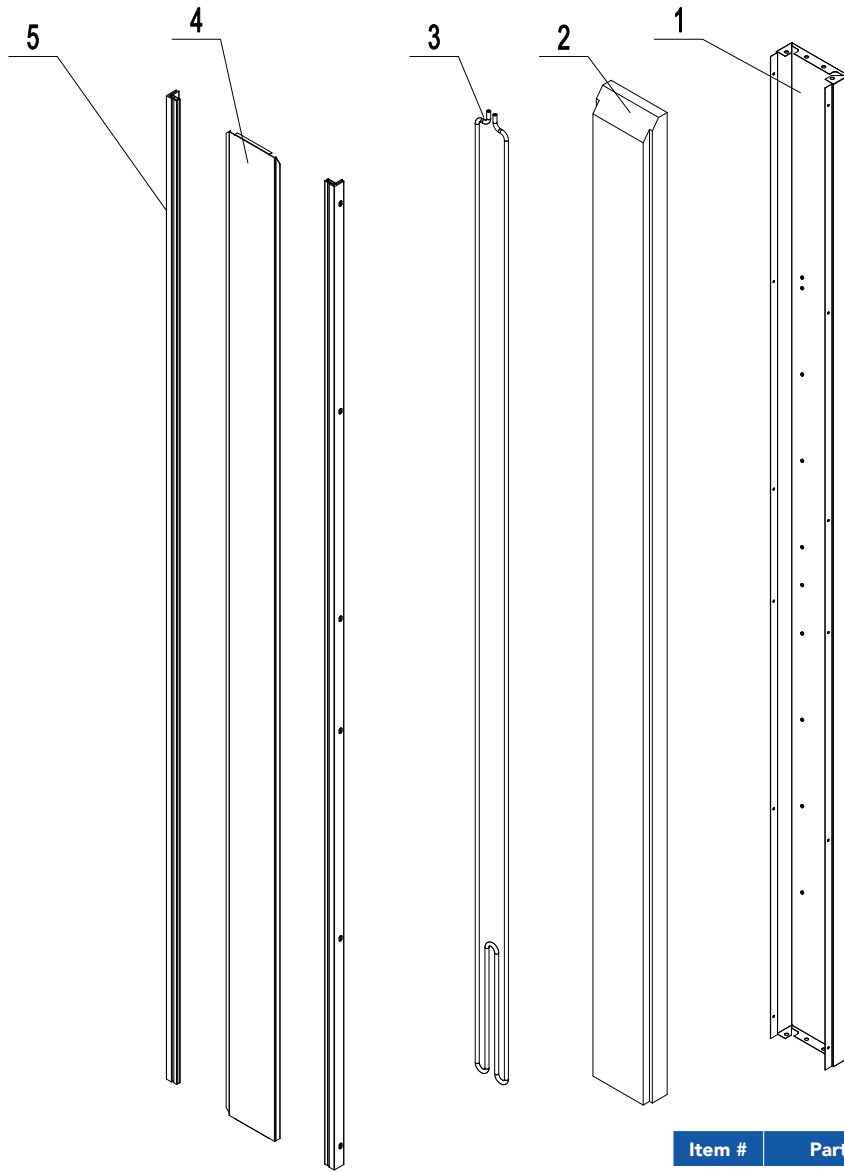
80020451

A

B

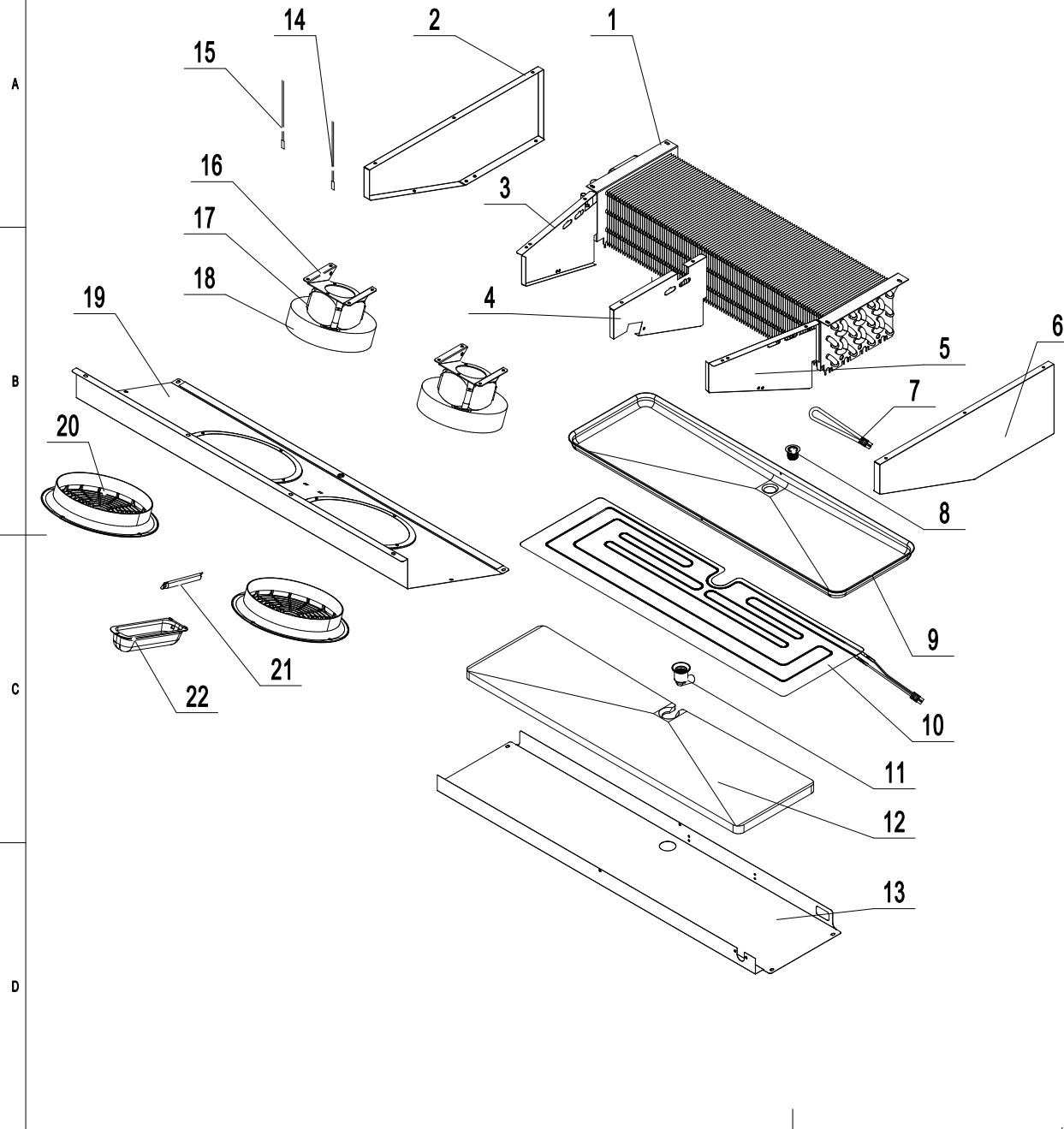
C

D



Item #	Part #	Quantity	Description
5	80021102	1	Mullion Front Cover
4	W04101990	2	Mullion Plastic Connector
3	W0210287	1	Mullion Heater Pipe
2	W0499088	1	Mullion Foam
1	80031110	1	Mullion Back Cover

80020452



Item #	Part #	Quantity	Description
22	W0409863	1	Lamp Cover
21	W0304086	1	Lamp
20	W0409080	2	Evap Fan Motor Cover
19	8114120201	1	Evap Front Cover
18	W0301059	1	Evap Fan Blade
17	W0301904	1	Evap Fan Motor
16	80021501	2	Evap Fan Bracket
15	W0302305	1	Evap Temp Probe
14	W0302304	1	Room Temp Probe
13	8114120101	1	Drain Pan Cover
12	W0803012	1	Drain Pan Foam
11	W0409858	1	Drain Hose Connector A
10	W0310078	1	Drain Pan Heater
9	80022003	1	Drain Pan
8	W0409859	1	Drain Hose Connector B
7	W0310068	1	Drain Hose Heater
6	80021207	1	Evap Right Cover
5	80021204	1	Right Air Lane Cover
4	80021205	2	Middle Air Lane Cover
3	80021203	2	Left Air Lane Cover
2	80021206	1	Evap Left Cover
1	W0202135	1	Evaporator

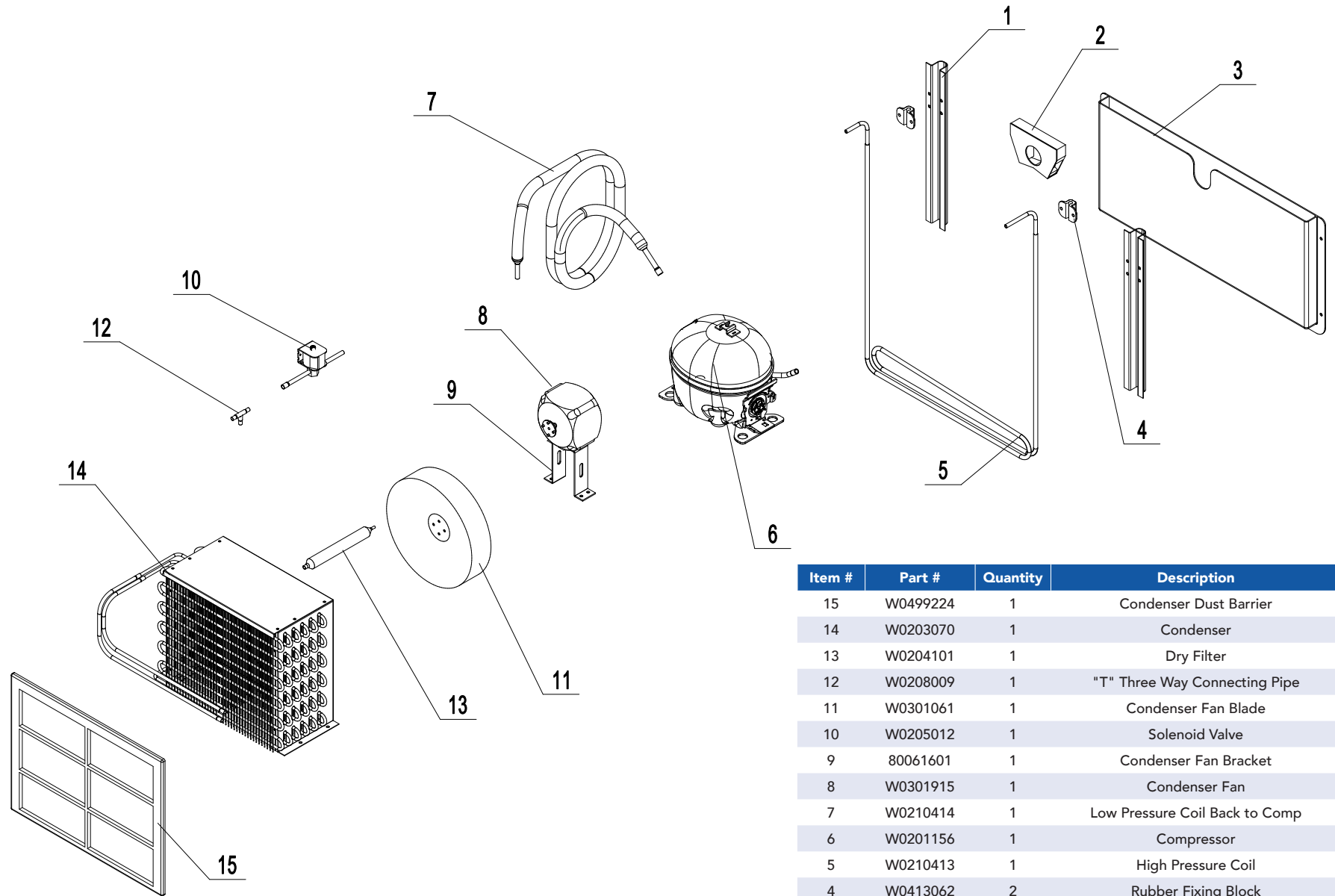
80020453

A

B

C

D



Item #	Part #	Quantity	Description
15	W0499224	1	Condenser Dust Barrier
14	W0203070	1	Condenser
13	W0204101	1	Dry Filter
12	W0208009	1	"T" Three Way Connecting Pipe
11	W0301061	1	Condenser Fan Blade
10	W0205012	1	Solenoid Valve
9	80061601	1	Condenser Fan Bracket
8	W0301915	1	Condenser Fan
7	W0210414	1	Low Pressure Coil Back to Comp
6	W0201156	1	Compressor
5	W0210413	1	High Pressure Coil
4	W0413062	2	Rubber Fixing Block
3	W0409071	1	Back High Pressure Coil Pan
2	W0409078	1	Air Pressure Balance Device
1	W04102051	2	Brass Case

80020454

A

B

C

D

1

2

3

4

5

6

1

2

3

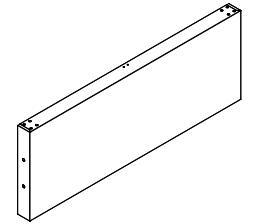
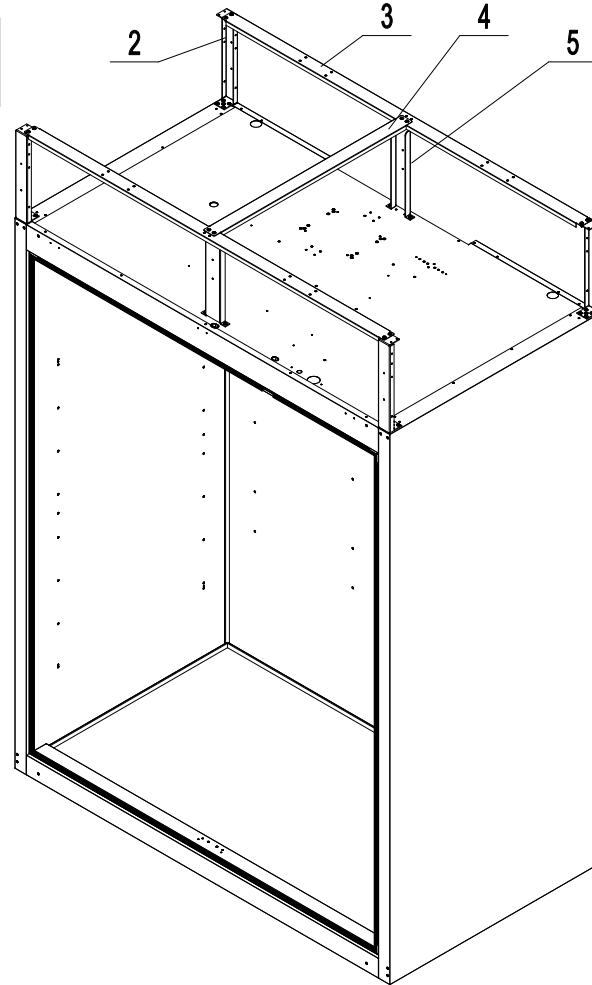
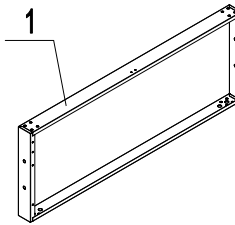
4

5

6

7

8



Item #	Part #	Quantity	Description	Item #	Part #	Quantity	Description
8	W04102045	2	Left - Right Frame Cover	4	80021827	1	Top Short Fixing Rack
7	W04102056	2	Top - Bottom Frame Cover	3	80021826	2	Top Long Fixing Rack
6	W0210247	1	Cabinet Heater Pipe	2	80011810	4	Side Panel Frame
5	80021825	2	Top Fixing Rack	1	80010935	2	Top Side Panel

1

2

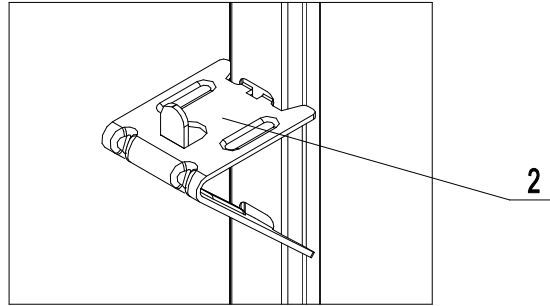
3

4

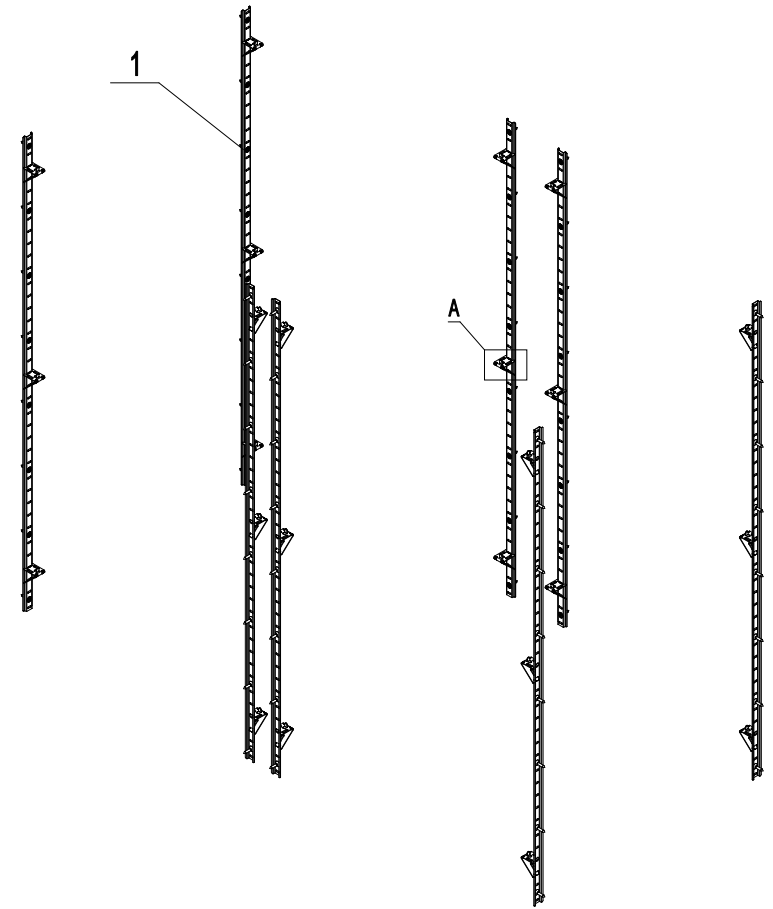
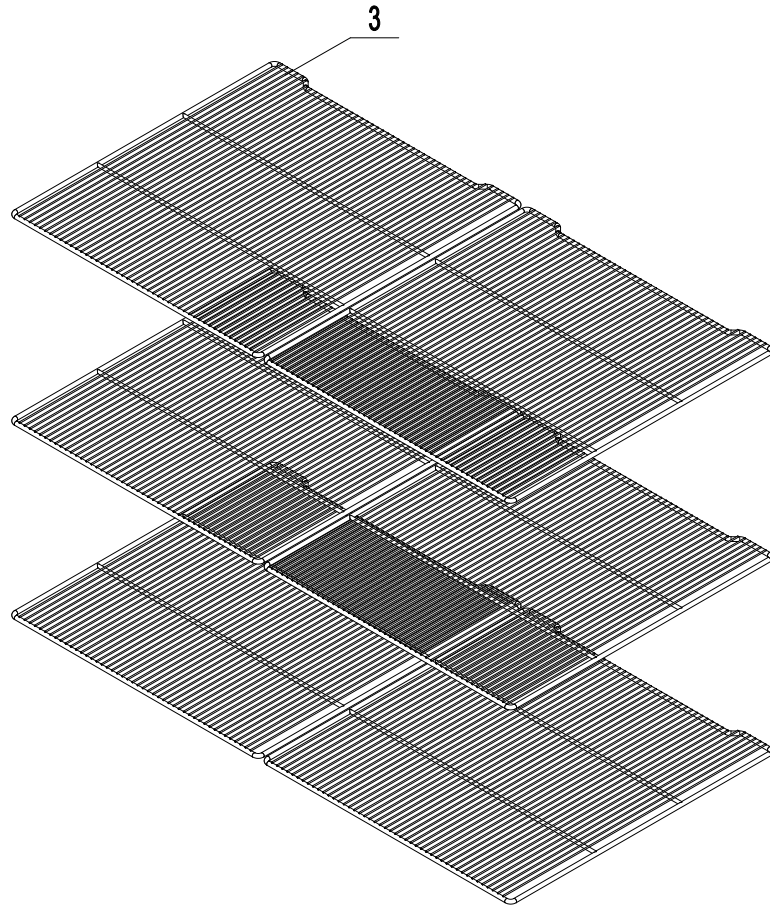
5

6

80020455



局部放大图A



Item #	Part #	Quantity	Description
3	W0402385	6	Shelf
2	66490313	24	Shelf Support Clip
1	80037410	8	Pilaster For Shelf