

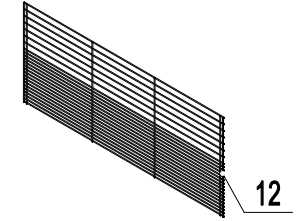
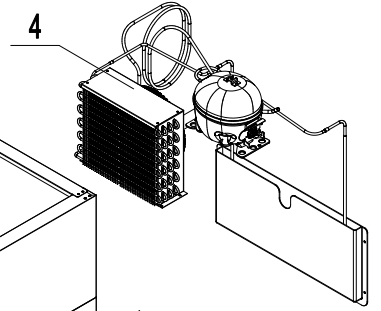
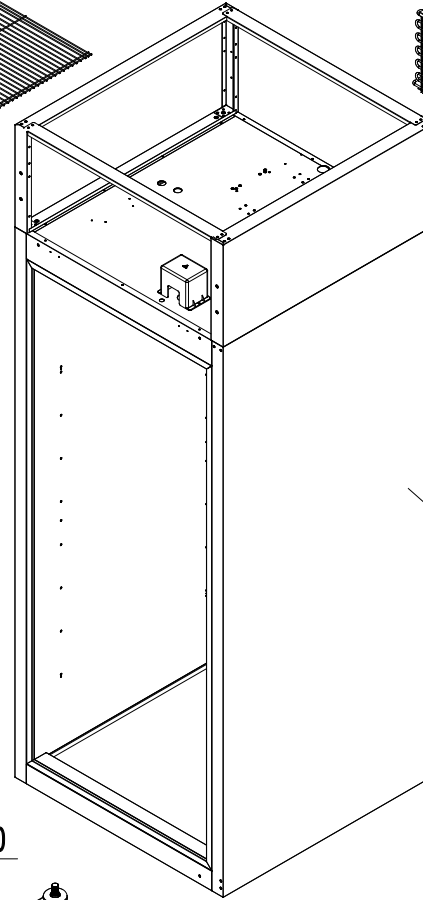
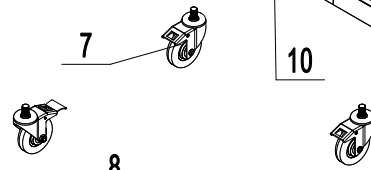
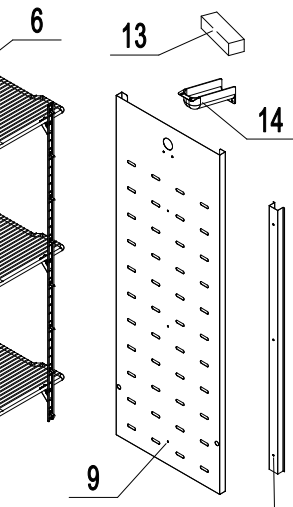
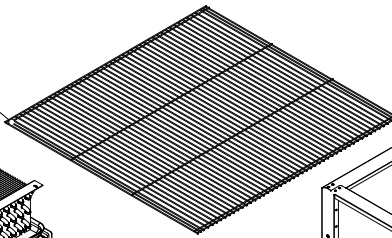
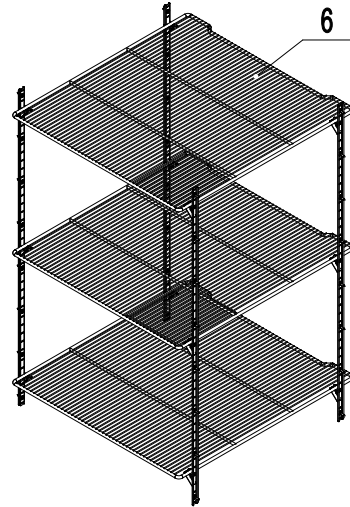
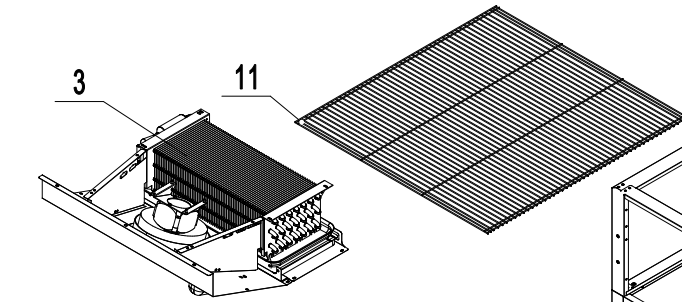
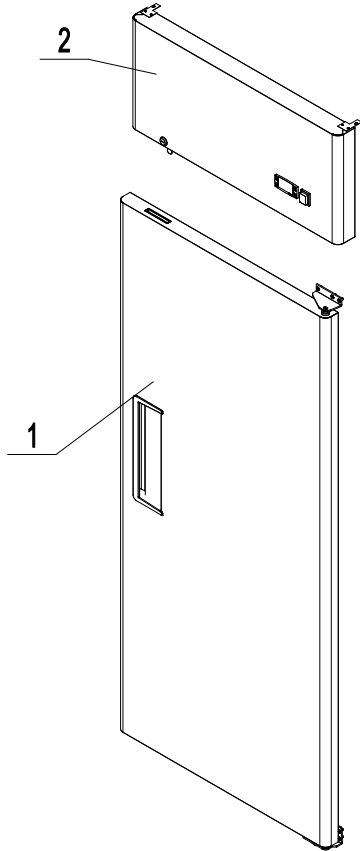
MBF8004GR

A

B

C

D



Item #	Part #	Quantity	Description	Item #	Part #	Quantity	Description
14	81131801	1	Drain Protector	7	B0604413	2	4" Caster Without Brake
13	W0399115	1	LED Power	6	80011454	1	Shelf Assembly
12	W0402616	1	Back of the Net	5	80040453	1	Cabinet Assembly
11	W0402664	1	Top of the Net	4	80040452	1	Comp & Cond Assembly
10	80011041	1	Back Wind Deflector Stents	3	80040451	1	Evaporator Assembly
9	80011042	1	Back Wind Deflector	2	80040450	1	Top Panel Assembly
8	B0604421	2	4" Caster Without Brake	1	80010411	1	Solid Door Assembly
8	B0604413	2	4" Caster Without Brake	8	B0604413	2	4" Caster Without Brake
3	W0409842	1	Door Shaft Sleeve - Top	3	W0409842	1	Door Shaft Sleeve - Top
2	B0502207	6	Screw M5x12	2	B0502207	6	Screw M5x12
1	W0604033	1	Right - Top Hinge	1	W0604033	1	Right - Top Hinge

1

2

3

4

5

6

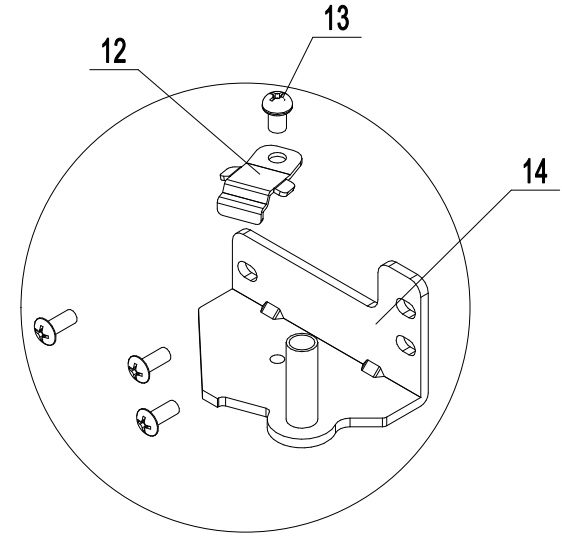
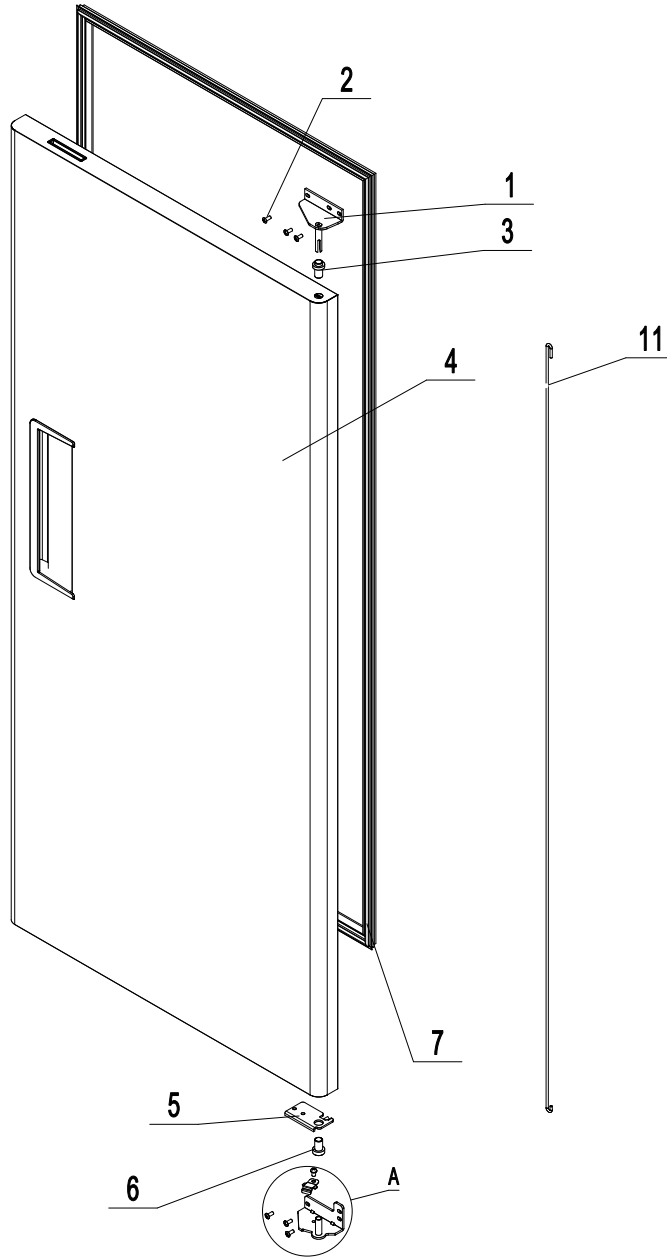
80010411

A

B

C

D



局部放大图A

Item #	Part #	Quantity	Description
14	W0604037	1	Right - Bottom Hinge
13	B0599270	1	SS Screw M6x8
12	W0604038	1	Door Brake - Bottom
11	W0604921	1	Door Spring Bar
7	W0404514	1	Door Gasket
6	W0409843	1	Door Shaft Sleeve - Bottom
5	W0604030	1	Door Brake - Right
4	80020201	1	Right Door
3	W0409842	1	Door Shaft Sleeve - Top
2	B0502207	6	SS Screw M5x12
1	W0604033	1	Right - Top Hinge
4	80020202	1	Left Door
3	W0409842	2	Door Shaft Sleeve - Top
2	B0502207	12	SS Screw M5x12
1	W0604032	1	Left - Top Hinge

1

2

3

4

5

6

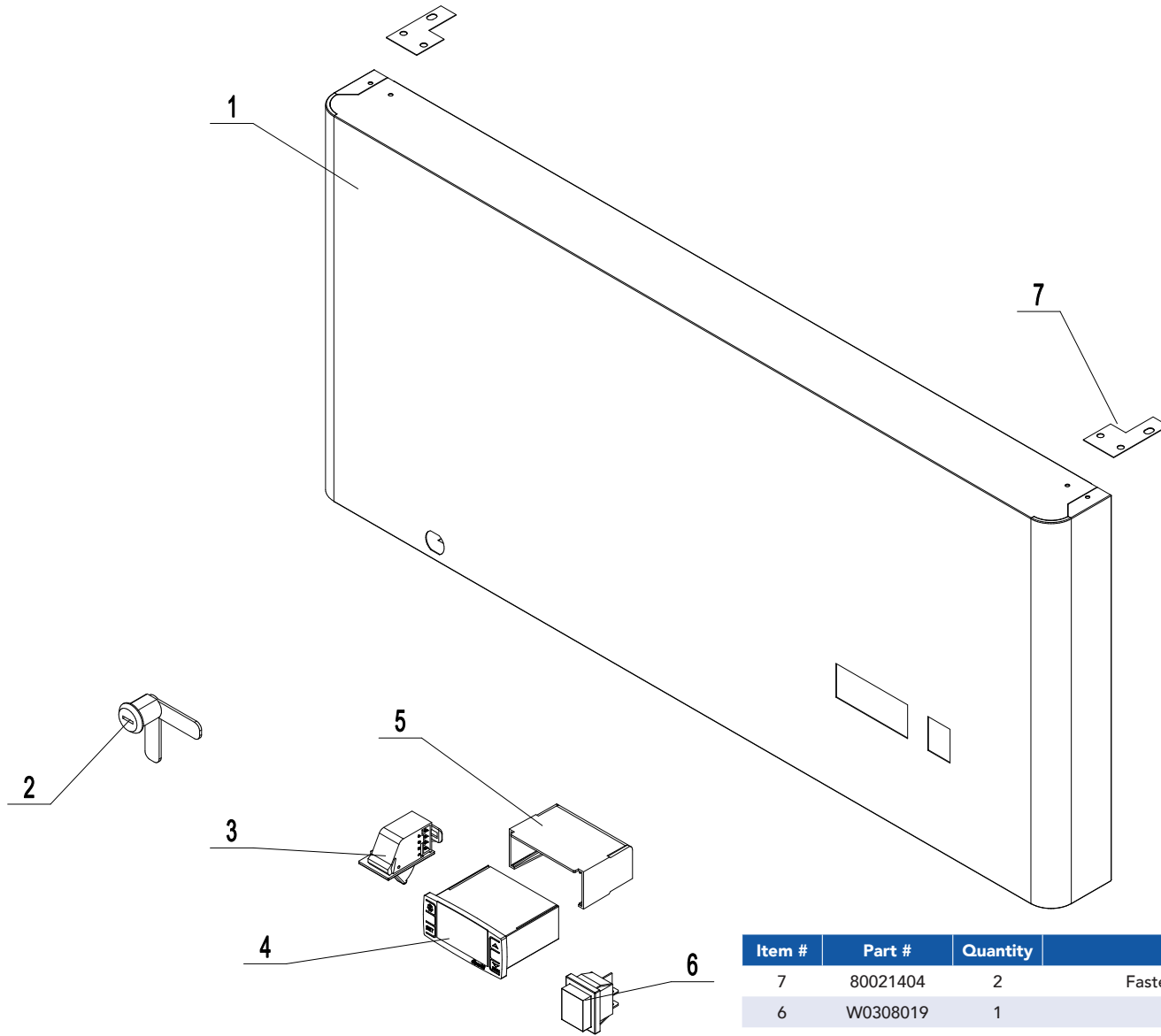
80040450

A

B

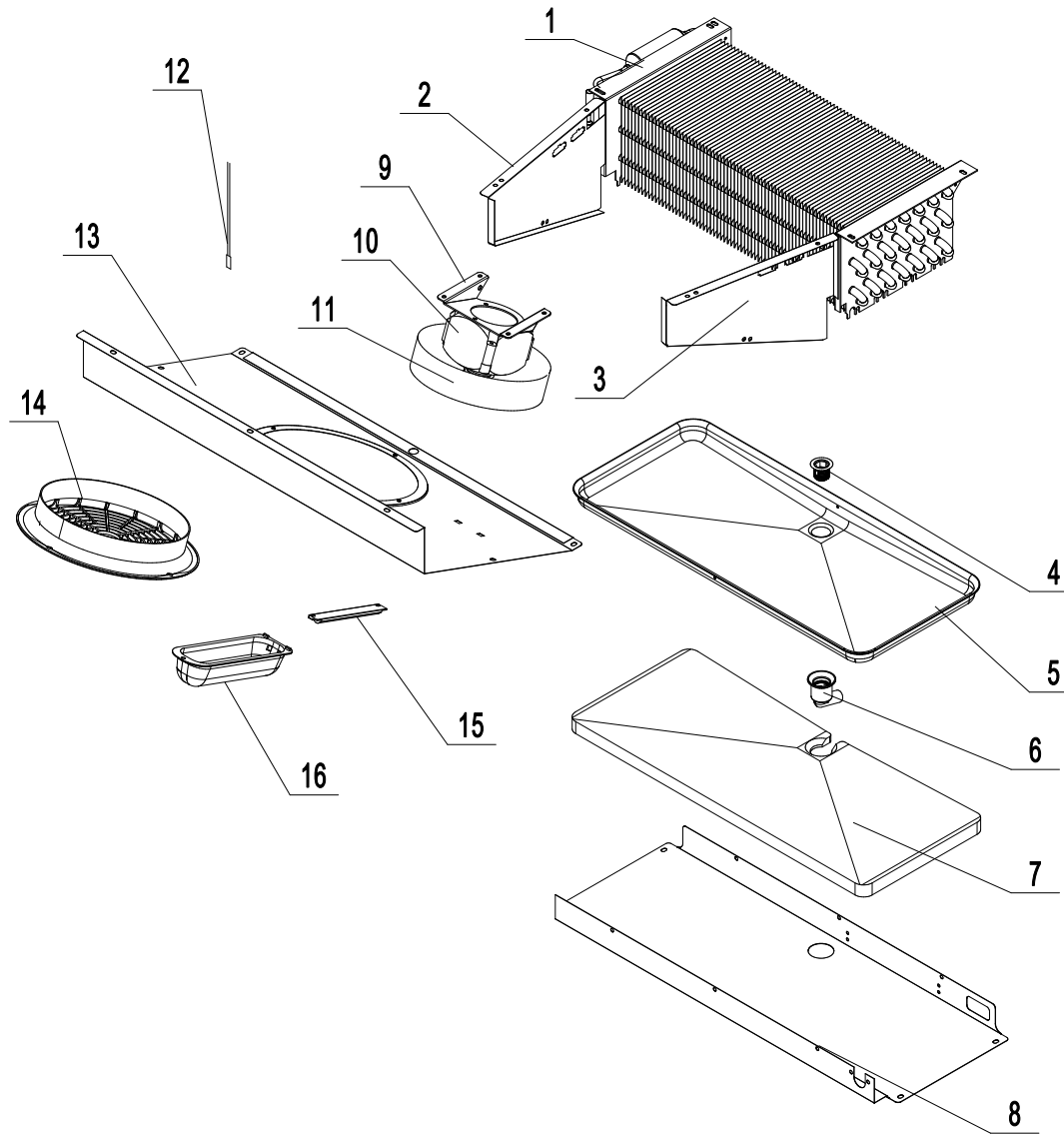
C

D



Item #	Part #	Quantity	Description
7	80021404	2	Fastener For Top Panel
6	W0308019	1	Power Switch
5	W0302303	1	Controller Cover
4	W0302163	1	Digital Controller
3	W0308012	1	Door Switch
2	W0604007	1	Lock
1	81131403	1	Front Top Panel

80040451



Item #	Part #	Quantity	Description
16	W0409863	1	Lamp Cover
15	W0304086	1	LED Lamp
14	W0409080	1	Evap Fan Motor Cover
13	8113120402	1	Evap Front Cover
12	W0302304	1	Room Temp Probe
11	W0301059	1	Evap Fan Blade
10	W0301904	1	Evap Fan Motor
9	80021501	1	Evap Fan Bracket
8	8113120302	1	Drain Pan Cover
7	W0803011	1	Drain Pan Foam
6	W0409858	1	Drain Hose Connector A
5	80012001	1	Drain Pan
4	W0409859	1	Drain Hose Connector B
3	80021204	1	Evap Right Cover
2	80021203	1	Evap Left Cover
1	W0202117	1	Evaperator
6	80021207	1	Evap Right Cover
5	80021204	1	Right Air Lane Cover
4	80021205	2	Middle Air Lane Cover
3	80021203	2	Left Air Lane Cover
2	80021206	1	Evap Left Cover
1	W0202135	1	Evaperator

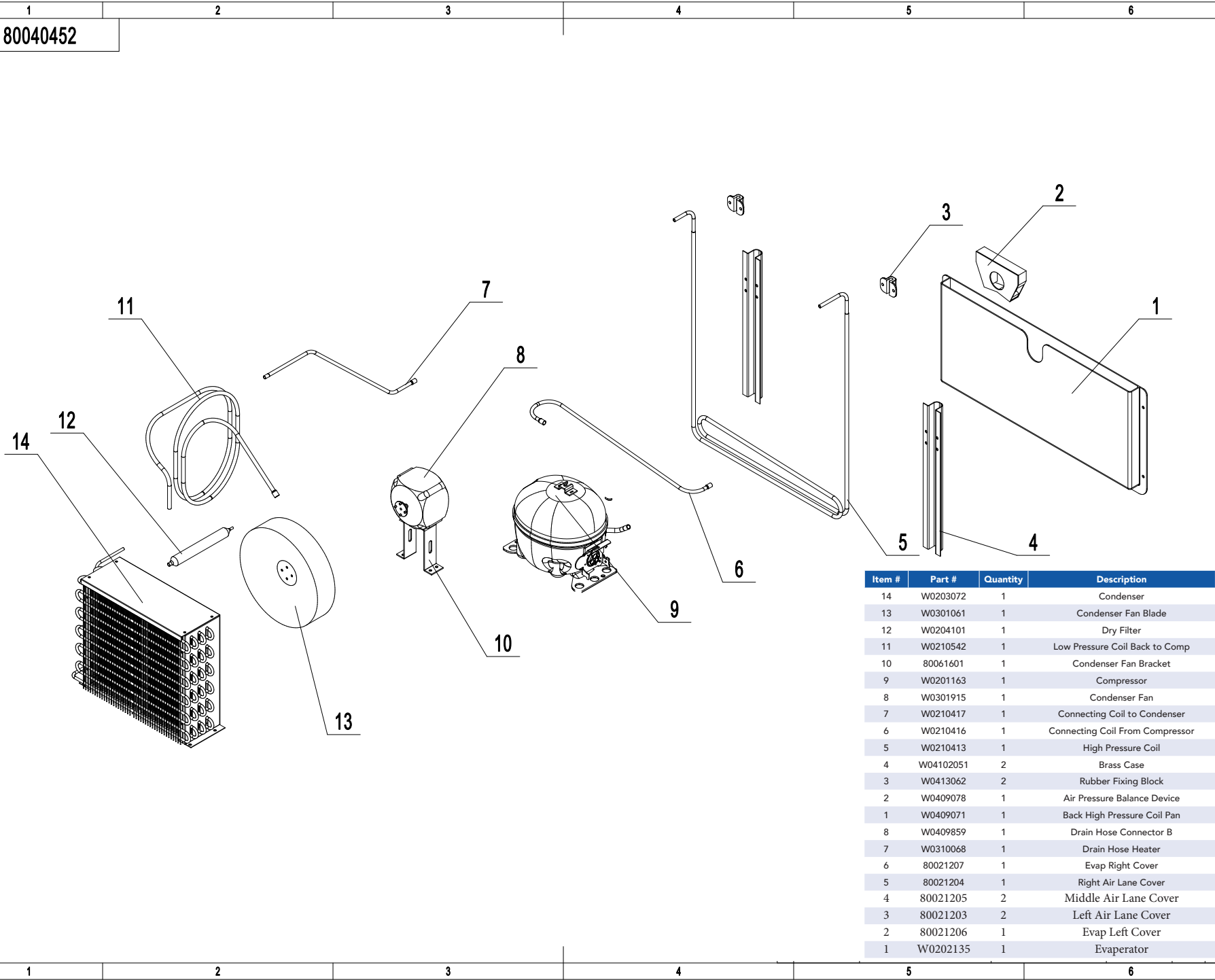
80040452

A

B

C

D



Item #	Part #	Quantity	Description
14	W0203072	1	Condenser
13	W0301061	1	Condenser Fan Blade
12	W0204101	1	Dry Filter
11	W0210542	1	Low Pressure Coil Back to Comp
10	80061601	1	Condenser Fan Bracket
9	W0201163	1	Compressor
8	W0301915	1	Condenser Fan
7	W0210417	1	Connecting Coil to Condenser
6	W0210416	1	Connecting Coil From Compressor
5	W0210413	1	High Pressure Coil
4	W04102051	2	Brass Case
3	W0413062	2	Rubber Fixing Block
2	W0409078	1	Air Pressure Balance Device
1	W0409071	1	Back High Pressure Coil Pan
8	W0409859	1	Drain Hose Connector B
7	W0310068	1	Drain Hose Heater
6	80021207	1	Evap Right Cover
5	80021204	1	Right Air Lane Cover
4	80021205	2	Middle Air Lane Cover
3	80021203	2	Left Air Lane Cover
2	80021206	1	Evap Left Cover
1	W0202135	1	Evaporator

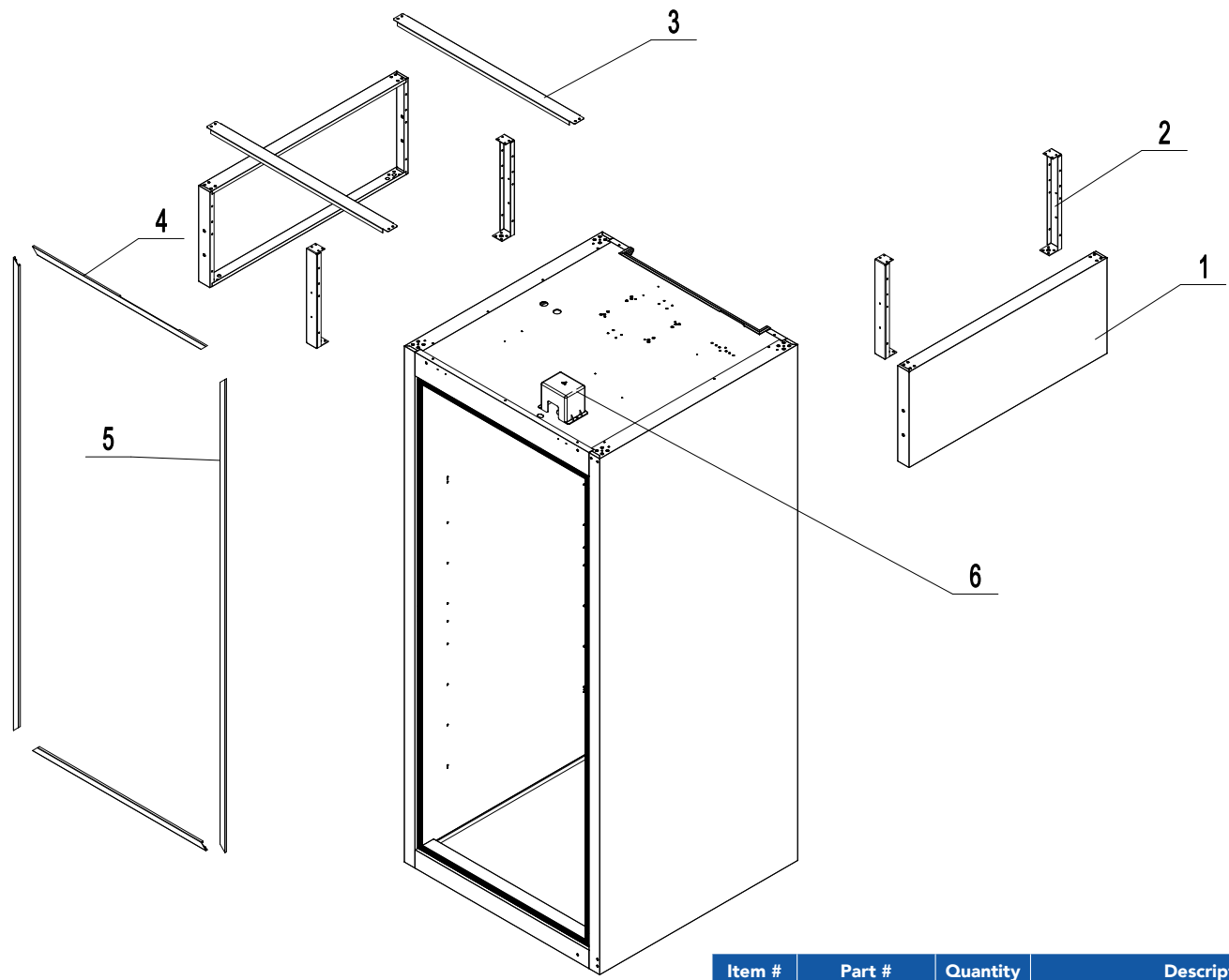
80040453

A

B

C

D



Item #	Part #	Quantity	Description
6	W0409865	1	Plastic Cover
5	W04102045	2	Left - Right Frame Cover
4	W04102044	2	Top - Bottom Frame Cover
3	80011811	2	Top Long Fixing Rack
2	80011810	4	Side Panel Frame
1	80010935	2	Top Side Panel

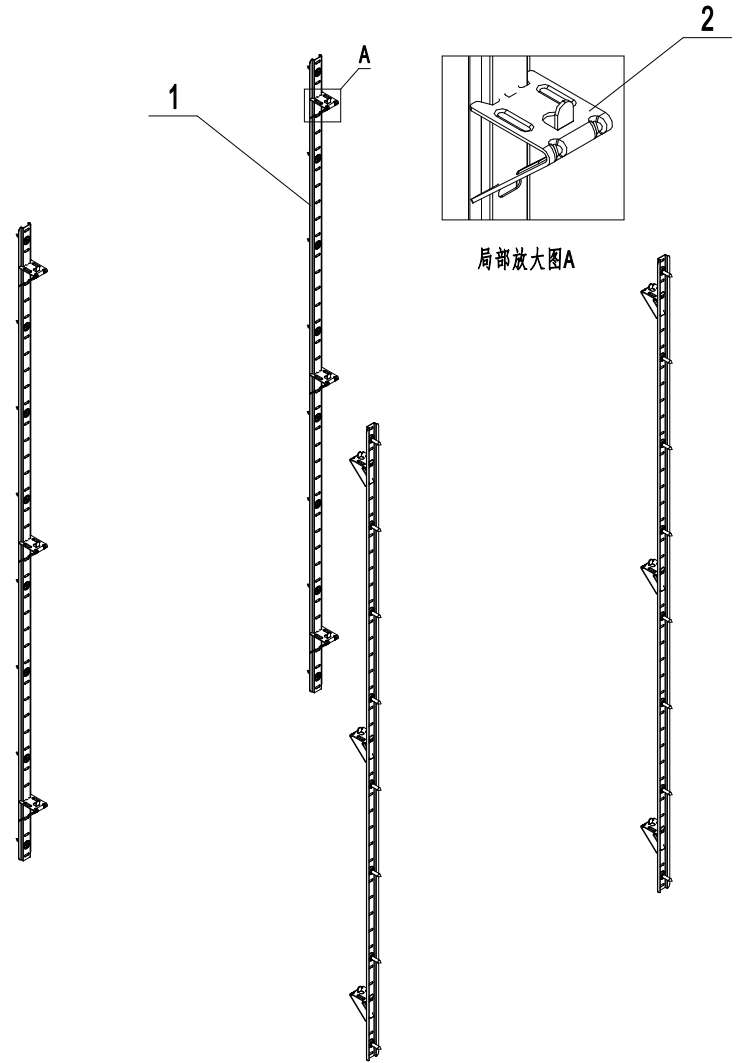
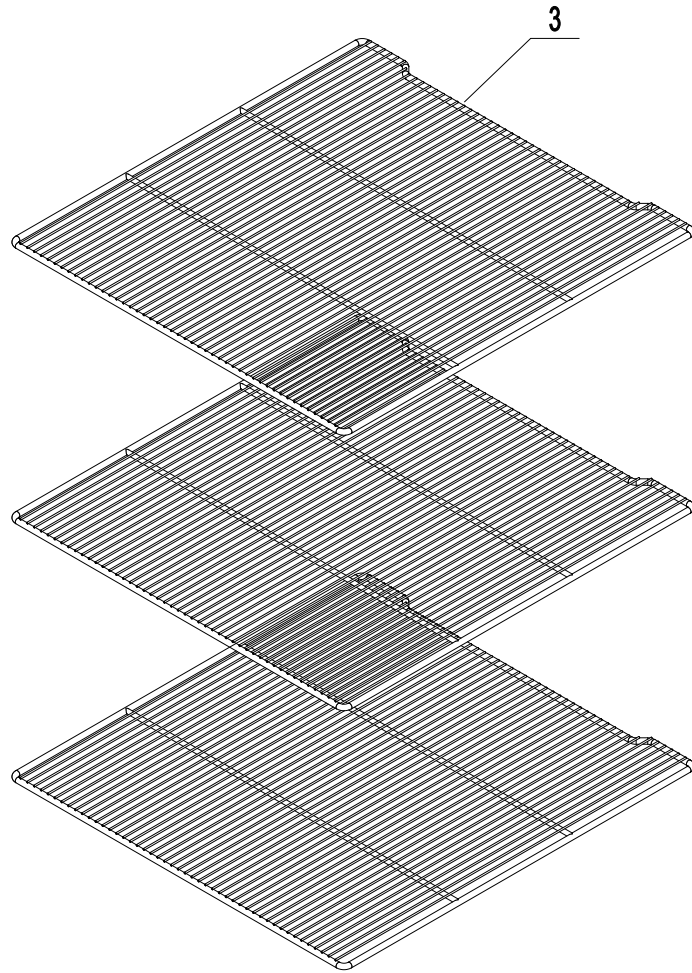
80010454

A

B

C

D



Item #	Part #	Quantity	Description
3	W0402372	3	Shelf
2	66490313	12	Shelf Support Clip
1	80037410	4	Pilaster For Shelf