

Meat Grinders

MODELS:

PPG-12 / PPG-22

Standard Features

- Powerful, high torque motor, with manual reset overload protection
- PPG-22 is 1.5 Horsepower
- PPG-12 is 1 Horsepower
- Direct gear-driven transmission, mounted on ball bearings
- Permanent grease-lubricated gear box
- Manual reset motor overload protection
- Forward/reverse switch
- Compact size and seamless construction
- PPG-22 - 450 lbs/hr meat capacity
- PPG-12 - 250 lbs/hr meat capacity
- Top-mounted handle with tray support
- Non-slip rubber feet six-foot cord and plug



Standard Accessories

- Knife
- Stainless steel product tray
- 1/4" (6mm) plate
- 5/16" (8mm) plate
- Plastic food pusher
- Sausage stuffing tube



PPG-12



PPG-22



1 YEAR PARTS AND LABOR WARRANTY (US ONLY)

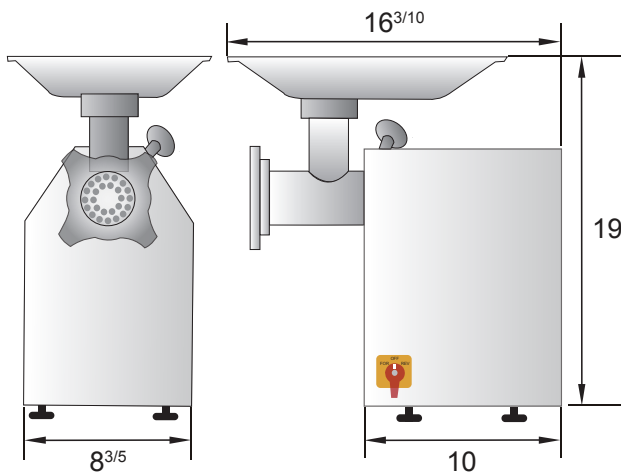


SPECIFICATIONS

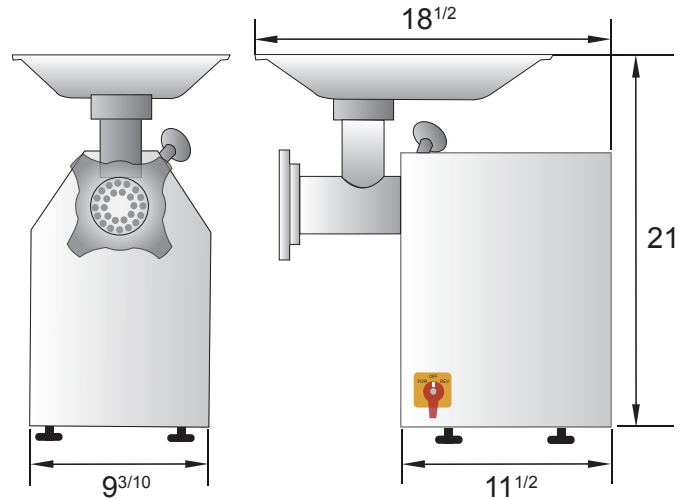
Models	HP	Watts(W)	Voltage (V/Hz/Ph)	Capacity (lbs/h)	Speed (RMPs)	Exterior Dimensions (inch)	Net Weight (lbs)	Gross Weight (lbs)
PPG-12	1	735	110/60/1	250	170	8 ^{3/5} ×10×19	61	68
PPG-22	1 ^{1/2}	1100	110/60/1	450	170	9 ^{3/10} ×11 ^{1/2} ×21	76	84

PLAN VIEW

PPG-12



PPG-22



STANDARD ACCESSORY PACKAGE

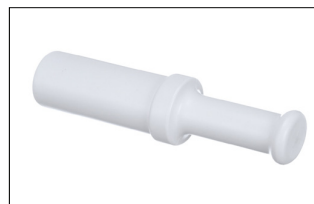
Food tray support



Meat grinder attachments



Meat pusher



Sausage Stuffer

